



Parker Hannifin Corporation
Industrial Hose Division
30242 Lakeland Boulevard
Wickliffe, OH 44092-1747
Telephone: (440) 833-2120
Fax: (440) 833-2230
www.safehose.com

PRODUCT UPDATE HY Coupling Design Change

Straight Configurations for 3/8" (-6) and 1/2" (-8) Hose Sizes

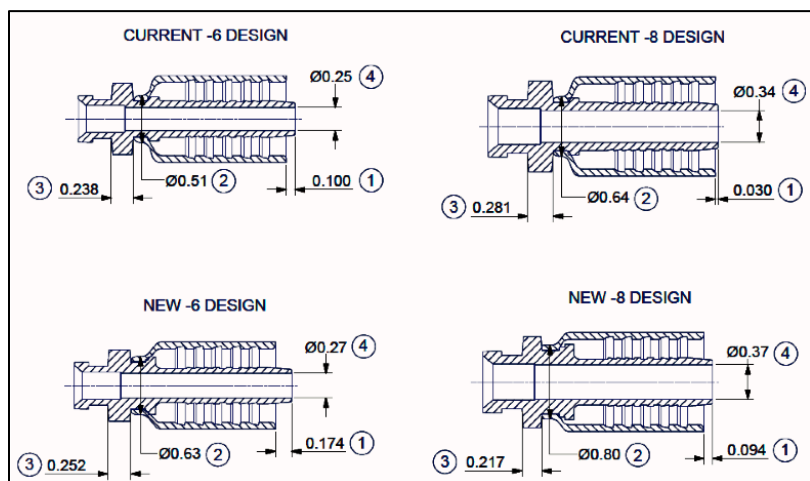
Beginning October, 2012, there has been a running change to update the design of straight configurations of HY couplings; the update applies only to the couplings for -6 and -8 hose sizes.

The prints at below, along with the four points of interest, show the differences between the previous and new designs:

1. The distance between the end of the shell and the end of the nipple is longer in the new design.
 - a. The hose insertion depth for -6 hose has been updated to 1-3/8" on CrimpSource® (there is no corresponding change to the hose insertion depth for -8 hose).
2. The pre-crimp diameter is larger in the new design.
3. The shoulder width has changed and is reflected dimensionally in the print.
4. The through-hole has been increased and is reflected in the print.

Cartons containing the new fitting will be identified by a blue label.

Refer to CrimpSource at www.safehose.com for current crimp specifications.



If there are any questions please contact
Parker Customer Service toll-free at:

866.810.HOSE (4673)
Wickliffe, OH
Eastern USA

800.242.HOSE (4673)
South Gate, CA
Western USA